



Type OPJ

■ One-touch door opening

Door may be opened simply by pushing or pulling handle. Because latches are extremely quiet when door is either opened or closed, they are extremely suitable for hospitals, conference rooms or any place a quiet door is desired.



This handle can even be opened using an arm

■ Two handle sizes are available.

Model OPJ has a large handle and model OPJS has a small handle.



Type OPJS

■ Functions

Model	Outside	Sketch	Inside	Applications
OPJ	Handle		Handle	Sickrooms, conference rooms, others

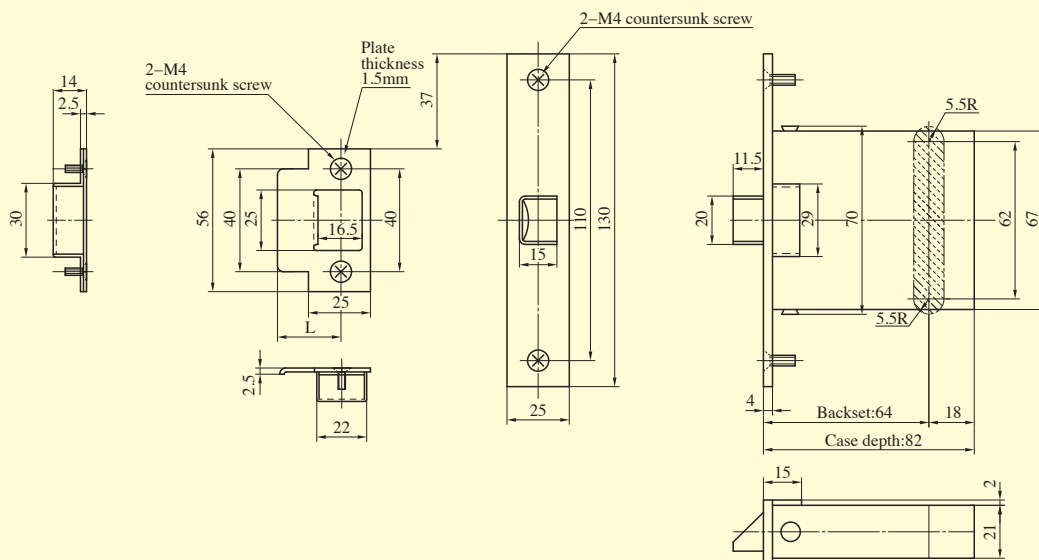
■ Materials and finishes

Handle : Aluminum alloy / Alumite finish
Front strike : 18-8 Stainless Steel (SUS304) / Satin finish

■ Specifications

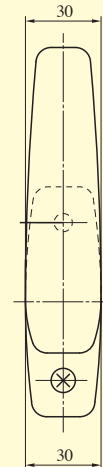
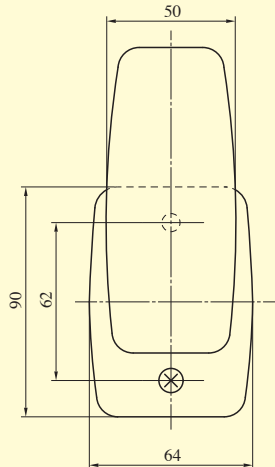
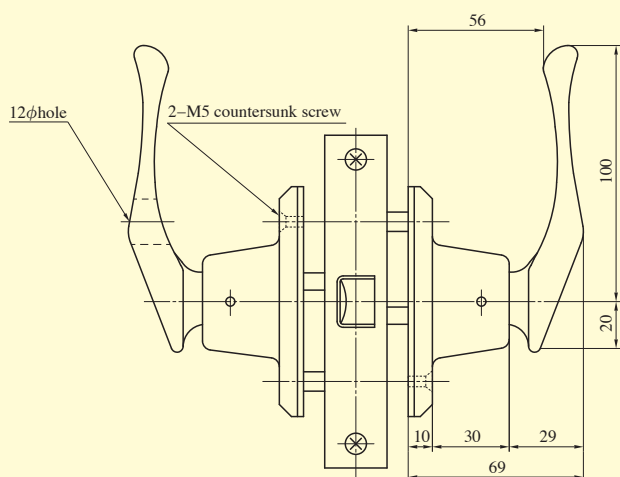
Backset (mm) 64
Door thickness range (mm) 29~33 · 33~42 · 42~46

OPJ



Type OPJ

Type OPJS



●Strike Dimension L for various door thicknesses (mm)

Single swinging door			Double swinging door		
Door thickness (minimum-less than)	Symbol	Dimension L	Door thickness (minimum-less than)	Symbol	Dimension L
29~33	CM	20	29~33	K	16
33~42	DP	24	33~37	L	18
42~46	ER	28	37~42	CM	20
			42~46	N	22