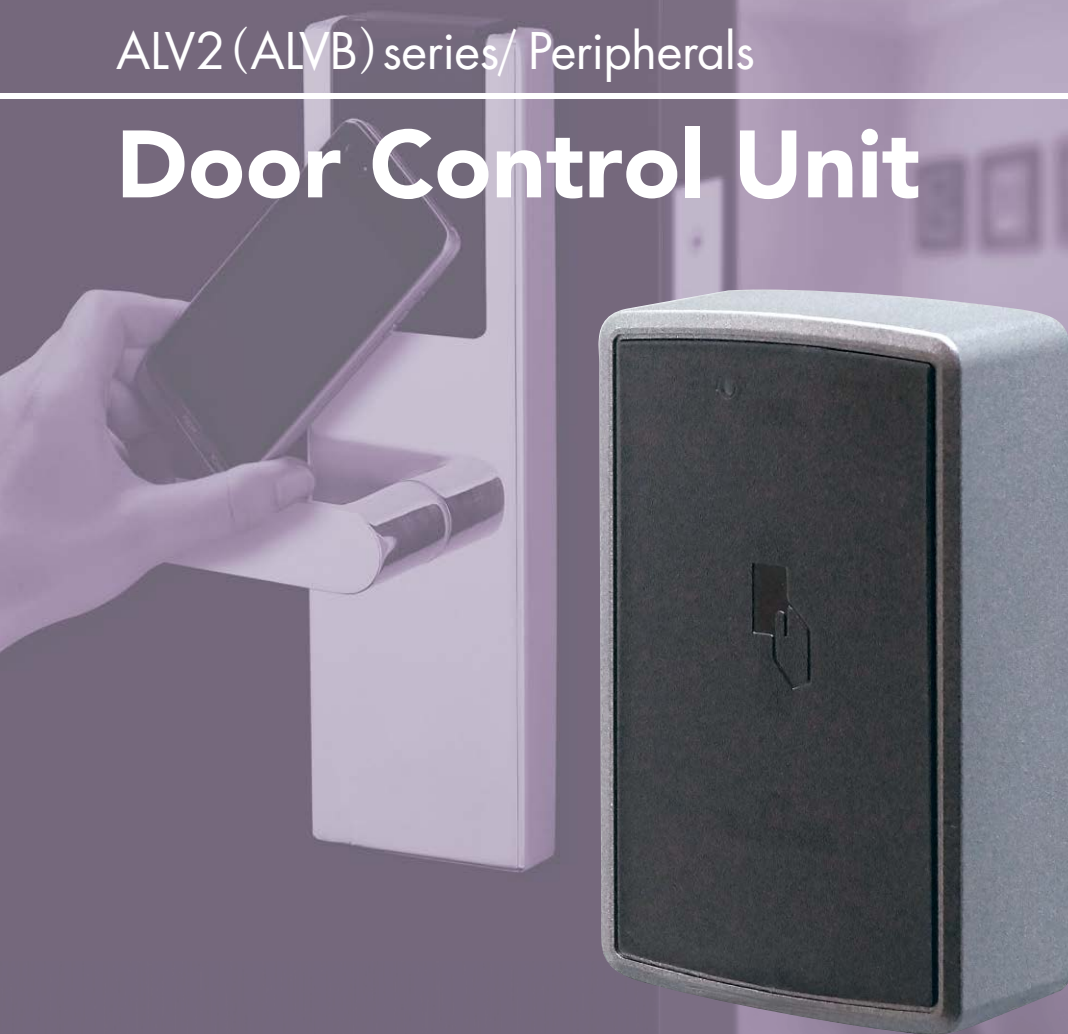


ALV2 (ALVB) series/ Peripherals

Door Control Unit



Surface-mount card reader ALV2DCU3.DP/ALVBDCU3.DP

- Reader to be programmed to lock and unlock automatically at predetermined times, set by the property.
- Card reader controller supplies 3V output to Surface-mount reader and 24V output to Magnetic locks, electrified panic bars, electric strikes or other locking device.
- Back up battery is included.(Option)
- ALVB Available with Mobile key option.

MIWA LOCK CO., LTD.

JAPAN 3-1-12, Shiba, Minato-ku, Tokyo 105-8510
TEL: +81-3-3452-5568 FAX: +81-3-3452-5911 URL: www.miwa-lock.biz

U.S.A 9272 Jeronimo, Suite 119, Irvine CA 92618
TEL: +1-949-328-5280 / Toll free: +1-888-412-9750 FAX: +1-949-328-5281 URL: www.miwalock.com

Specifications

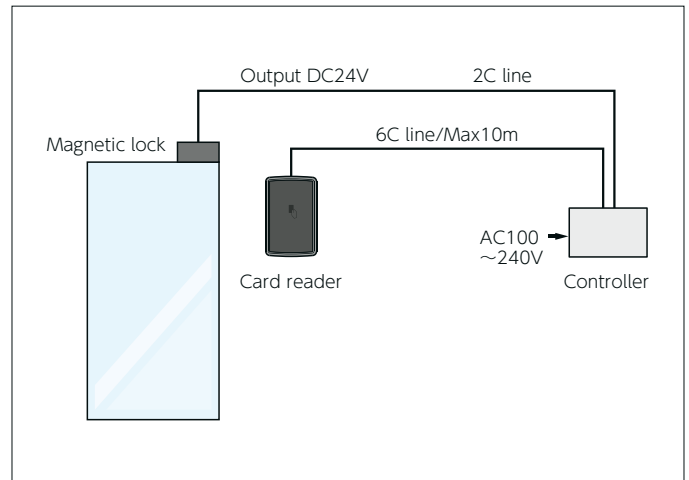
Surface mount card reader

External dimensions	W76mm× H120mm× D33mm
Weight	270g
Power supply	Supplied from controller
Environmental condition	-5°C~+50°C / 20~80%RH (No condensation)

Card reader controller

External dimensions	MPC1 : W330mm×H343mm×D86mm ※ Including a lid size.
Weight	MPC1 : 2.86kg / MPC2 : 2.33kg
Power supply	AC100V/1.5A or AC230V/1.0A
Output	Normal open or close contact 1 relay
Duration of contact	3~18 sec. adjustable
Contact capacity	DC30V / 5A
Environmental condition	Internal installation only 0°C~+50°C / 20~80%RH (No condensation)

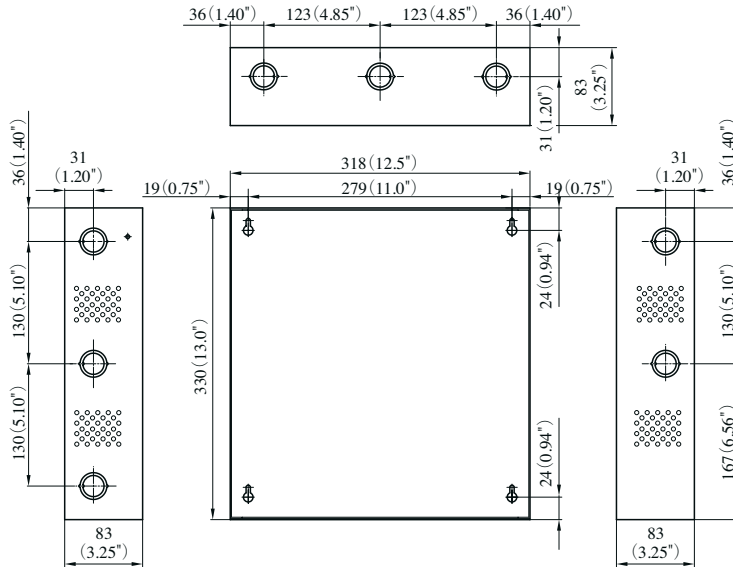
Diagram



Detail Drawing

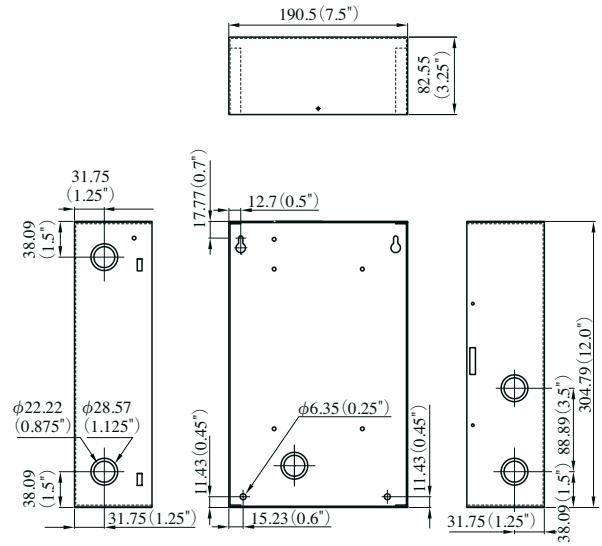
MPC1 (With Battery Space)

※ No Including a lid size.



MPC2 (No Battery Space)

※ No Including a lid size.



ALV2DCU3.DP ALVBDCU3.DP

