



Locking in Quality around the World

ALV2 series / LOCK

ALV2-C RFID



Type	Description
M-001RD	RFID reader with battery box and enclosure made from stainless steel

Type	Description
5162MCLT70D	CYLINDRICAL LOCKSET WITH MOTOR, B/S:70, GALAXY TRIM, 626 FINISH, KD CYLINDER
5162MFLT70D	CYLINDRICAL LOCKSET WITH MOTOR, B/S:70, ECLIPSE TRIM, 626 FINISH, KD CYLINDER
5162MCLT70A	CYLINDRICAL LOCKSET WITH MOTOR, B/S:70, GALAXY TRIM, 626 FINISH, KA CYLINDER
5162MFLT70A	CYLINDRICAL LOCKSET WITH MOTOR, B/S:70, ECLIPSE TRIM, 626 FINISH, KA CYLINDER

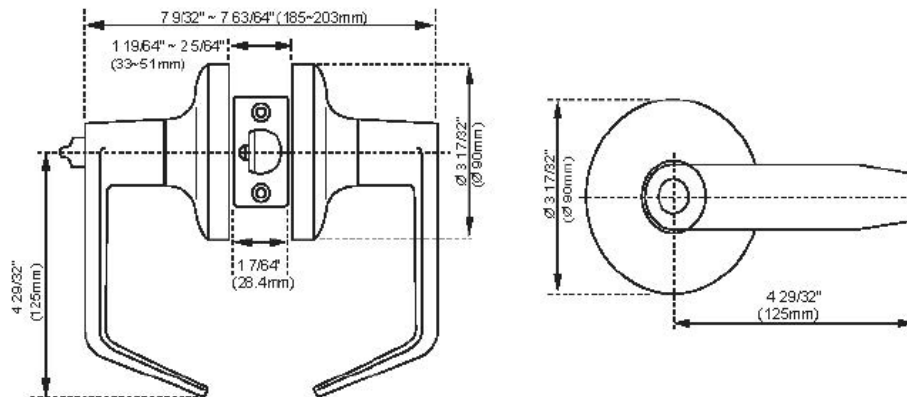
MIWA LOCK CO., LTD.

JAPAN 3-1-12, Shiba, Minato-ku, Tokyo 105-8510
TEL:+81-3-3452-5568 FAX:+81-3-3452-5911 URL:www.miwa-lock.biz

U.S.A 9272 Jeronimo, Suite 119, Irvine CA 92618
TEL:+1-949-328-5280/ Toll free:+1-888-412-9750 FAX:+1-949-328-5281 URL:www.miwalock.com

Features and benefits

5162MFLT70D



Unit	Parts	Material	Type	Finish
RFID reader	Escutcheon	Stainless steel	SUS304	Grinding
	Mounting plate	Steel	SECC	Plating ZINC
	Gasket	Rubber		—
	Mounting screws	Stainless steel	SUS304	—
	PCB (Main / Reader)	Provided by Miwa		
	Battery box	Provided by Miwa		
Lockset	Lever	ZINC		US26D
	Lever Rose	Stainless steel		US26D
	Lock case	Steel		YELLOW ZINC PLATED
	Actuator	Steel		YELLOW ZINC PLATED

- Retro fit to existing cylindrical lock preps
- Suitable for common, storage, closet or office type doors
- Lock holds 600 events and reports usage of 120 events onto each individual staff card
- Lock can be programmed as common door, individual door, timed access and zoned door
- Optional Mechanical hard-key override, master keyed or individual